

OUTSIDE SOLAR SHOWER



KELIA



Timer device

- Automatic shut-off -

Anti-scald safety device

- Régulateur thermostatique-

Economical and environmental

- Solar heating -

Foot bath option

- Automatic shut-off-

**Accordance with standard
NF EN1111**

Individual or group use



Each installation project takes on a specific character, according to the shape, installation material, exposure and the characteristics of the installation site.

So much data which must be the subject of painstaking study. Our business is analysing all the technical parameters in detail and providing you with the best solutions.

All our products are designed and produced in France, to provide you with top of the range products and a quality service.



Table of contents

KELIA: exterior solar shower

Advantages of the KELIA solar shower

Appearance and finish

Technical description and fittings

Installation advice

Guarantee: 5 years, parts and delivery charges



Shower for group use

- Timer devices -

KELIA: options and spare parts



KELIA: our models, made to measure

This solar shower is also well suited to both group and individual use. The controls are manual or automatic according to your requirements.

Advantages

Economical and environmental

The KELIA aluminium solar shower produces hot and warm water using only solar energy. It is economical and environmental, fitting equally well into public facilities and the area surrounding your swimming pool. The KELIA shower is completely self-contained and does not need any energy source.

Solar irradiation on its own enables water heating.

For group use (campsites, guest-houses and hotels), major savings will be made in producing hot water.

The sun heats more than 20 litres of water stored in the body of the KELIA shower and more than 30kg of aluminium. The thermal capacity of these 2 reservoirs, which become a renewable energy source, allows you to use it many times throughout the period when the sun is shining.

The shower body is a solar cell and a source of continuous hot water during periods when the sun is shining.

Designed For group use

Equipped with its DELABIE or PRESTO time delay cut-off devices, and its anti-scald safety device system, the KELIA aluminium solar shower may be used in in locations open to the public.

Campsites, hotels, guest-houses, beaches, this solar shower will be able to fit in everywhere.



KELIA model

Designed for group use

- Timer devices, anti-scald safety device -

A Facility For comfort and safety

For maximum efficiency and ideal and optimum reliability, KELIA solar showers are equipped with top of the range taps, cocks and fittings.

PRESTO and DELABIE supported us in the design of a product with no equal, designed for group use or for users who pay the closest attention to quality products and top of the range comfort.

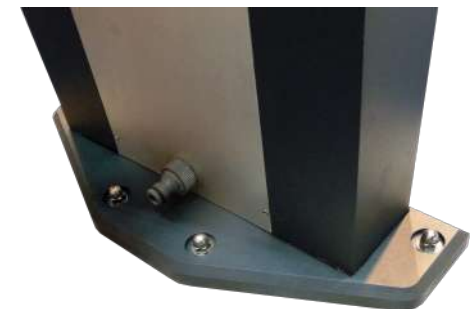
In addition to production quality and the materials used (selected for their robustness and their resistance to weather conditions), the KELIA shower is fitted with manual taps, cocks and fittings, but also with a timer cut-off, an anti-scald safety device and a pressure limiter.

The logo for PRESTO features a green circular icon on the left containing a stylized sun or gear-like symbol. To its right, the word "PRESTO" is written in a bold, green, metallic-looking font with a slight 3D effect.The logo for DELABIE consists of a grid of small, metallic-looking dots above the word "DELABIE" in a bold, silver, metallic font. The word is underlined with a thin silver line.

Simplified installation and maintenance

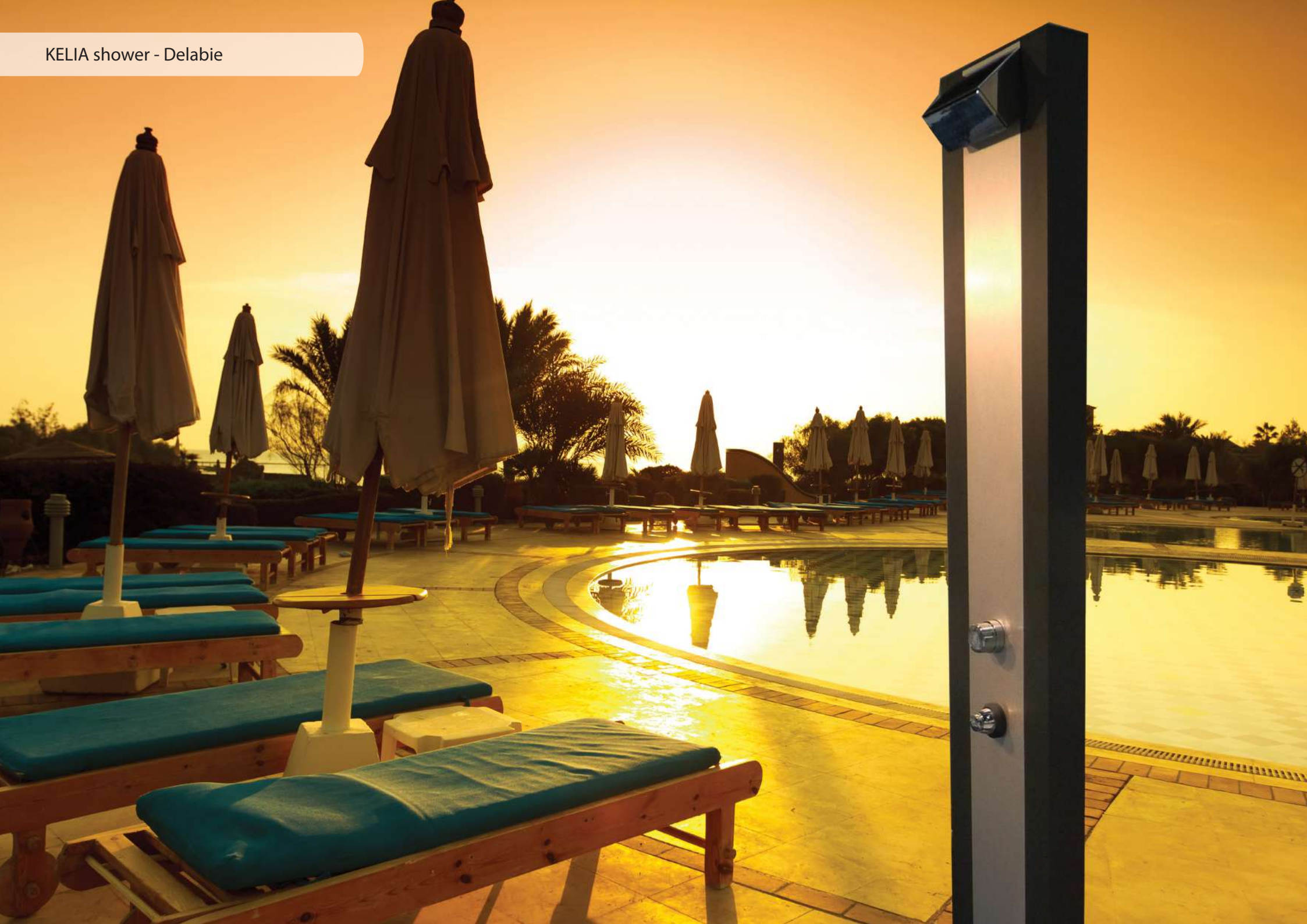
Connected simply to your sprinkler water supply, the swimming pool solar shower is totally self-contained. Delivered fully assembled at the factory (French design and production), it is simply fixed to the ground by 4 screw anchors. Due to its 2 reservoirs and its 22 litres [capacity], the shower captures solar energy. The water contained in the solar shower is heated and comes out of the shower head at an ideal temperature set by its mixing valve.

The choice of materials and the production quality enable your solar shower to be guaranteed a long lifespan.



Emptying is required over winter

KELIA shower - Delabie



Appearance and Finishes

Economical and environmental

A timeless design

Simple to install

Standard product

Or made to measure finishes and fittings

Manual controls or with timer cut-off

As an option: anti-scald safety device system and foot bath

Aesthetic and sturdy

Design line: a rectilinear aluminium structure on contemporary lines.

The choice of materials, essentially aluminium and stainless steel, the search for maximum efficiency and an ideal design have enabled the production of a sturdy and reliable product whose quality has been proven.

Finish

Frosted anthracite grey colouring

-> other finishes made to measure

Anodised aluminium central panel

Stainless steel accessories



Fittings

Top of the range taps, cocks and Fittings

- PRESTO or DELABIE time delay control

- ROCA manual control



KELIA model

KELIA shower - Delabie



Technical specification

A twin aluminium reservoir of great thickness

The KELIA solar shower stores water which it heats naturally using solar energy.

With a capacity of 22 litres, 2 reservoirs fulfil their storage function and capture solar energy from many directions.

The reservoirs have a great thermal inertia, also playing a fundamental role in additional energy storage. The aluminium, which has a generous thickness of 5mm, is the ideal material due to its unequalled thermal capacity.

In its manual version, ROCA taps, cocks and Fittings

Antonio Bullo proclaims his creative force through this collection inspired by essentialism.

Modern and dynamic, his design is harmonious and compact, with clearly defined lines and almost geometrical outlines.

Taps, cocks and fittings with manual temperature adjustment.

Manual water flow opening.

Manual flow shut-off.

Douche KELIA

| | |
|-------------------|------------------------------|
| Référence | SH01 à SH08 |
| Capacity | 22 liters |
| Weight | 30kg |
| Shower dimensions | 2.22x0.33x0.08 m |
| Base dimensions: | 0.42x0.16 m |
| Materials: | Aluminium et stainless steel |



KELIA model

Fittings

This mono-control tap with mixer valve for the shower panel enables the water flow to be started by simply pressing the push-button and is stopped automatically due to a constant timing preset at the factory. The temperature is regulated by rotating the 180° knob.

Operation

The timed single control mixing valve enables the water to flow by simply pressing the push-button. The water flow stops automatically according to a timing set at the factory. Turning the 180° knob enables a precise temperature to be selected.

Advantages

Resistant to corrosion and limescale

Ergonomic control with wide temperature range

Patented mechanism guaranteeing a constant timing

- VANDAL-PROOF: Robust fixing avoiding any risk of removal.

Inaccessible internal parts. Researched for intensive use.

- WATER SAVING greater than 70% due to the automatic cut-off set to 30 seconds and the flow limited to 10 litres/min.

For the foot bath, automatic cut-off set to 15 seconds and flow regulated to 6 litres/min.

- RELIABILITY: optimum quality. Product tested and inspected at each stage of its production.

- 5 YEARS GUARANTEE

PRESTO Fittings



Foot bath with separate time delay shut-off control and short spout (as an option)

 **PRESTO**

DELABIE Fittings



Foot bath with separate control for time delay shut-off and short spout (as an option)

DELABIE

Fittings

This single control mixing valve tap for the shower panel enables the water flow to be started by simply pressing the push-button and is automatically stopped due to a constant timing preset at the factory.

The temperature is set by turning the knob through 180°.

Operation

Start of the flow by pressing on the knob or push-button.

Automatic shut-off time delay with no manual contact.

Temperature selection by turning the mixing valve.

Advantages

- VANDAL-PROOF: tamper-proof push-button and spout made of solid chrome-plated brass with concealed fixings and anti-rotation threaded pins. Totally embedded partition wall fittings with reinforced fixings.
- WATER SAVING greater than 84% due to the time delay automatic shutoff at 20 seconds and the preset flow rate of 3 litres/min. For the foot bath, automatic shut-off at 30 seconds and regulated flow rate of 6 litres/min.
- RELIABILITY: unequalled life expectancy, (mechanism that cannot be put out of adjustment, in non-corroding and limescale resistant materials and self-cleaning timing mechanism).
- 5 YEARS GUARANTEE

Installation advice

Installation is quick and simple, connection to a sprinkler water supply is sufficient for its installation.

Ease of installation

Delivered fully assembled at the factory (French design and manufacture), its installation is very simple. The KELIA aluminium solar shower is attached by means of four anchoring screws to a solid, stable base. Then simply connected to your sprinkler water supply, it becomes operational and completely selfcontained.

Due to its 2 reservoirs and its 22 litres [capacity], the shower captures solar energy. The water contained in the solar shower is heated and comes out of the shower head at an ideal temperature set by its mixing valve.



Siting your shower

The placing and situation of your shower in relation to the sunshine are important. In fact for ideal performance we recommend positioning shower in the place receiving the greatest amount of sunlight.

Overwintering

Complete emptying is necessary before frosts start



KELIA model

Options and accessories

Foot bath

As an option, you can choose to add a foot bath to your solar shower. Fitted with a time delay connected directly to the cold water input, it will enable you to rinse or clean items without using your shower's hot water [supply]. For group use (campsites, guest-houses and hotels) or in the area around your swimming pool, this solar shower option allows users' feet and items, etc. to be rinsed without using up the stored hot water.

Anti-scald safety device

The thermostatic regulator enables the controlled supply of warm water with no risk of scalding. The hot water inflow is shut off instantaneously if the cold water is cut off (internal obstruction). The system is preset at 38°C at the factory.

ADVANTAGES:

Anti-scald safety device

Instant hot water cut-off if the cold water is shut off

Fixing systems

M10 x 100 expanding mechanical bolt (stainless steel).

M10 x 100 bolt and capsule for chemical sealing.



Our models

The KELIA shower is available in 8 models, with time delay cut-off control or manual control.

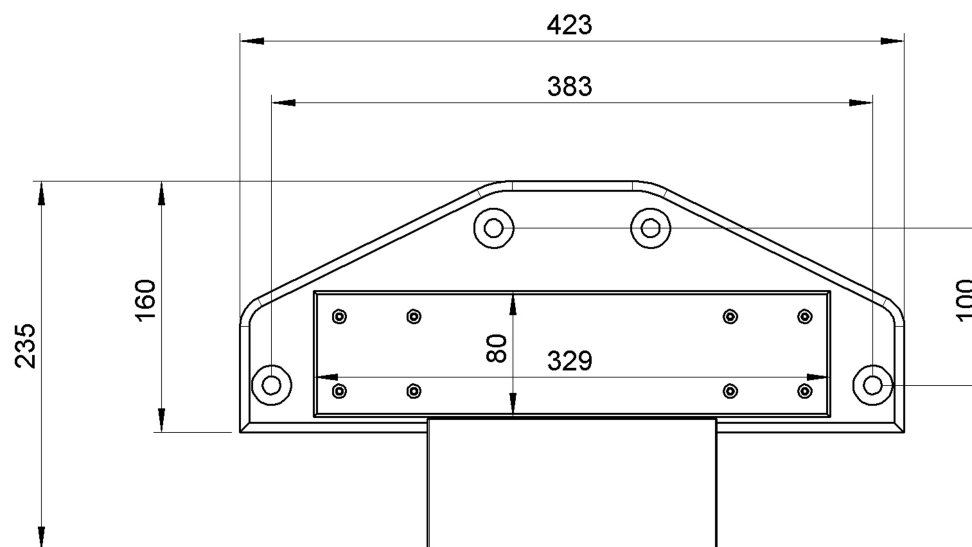
According to the model, it can be equipped with an anti-scald safety device complying with the public standard NF EN1111 and a foot bath with timer cut-off.

KELIA shower

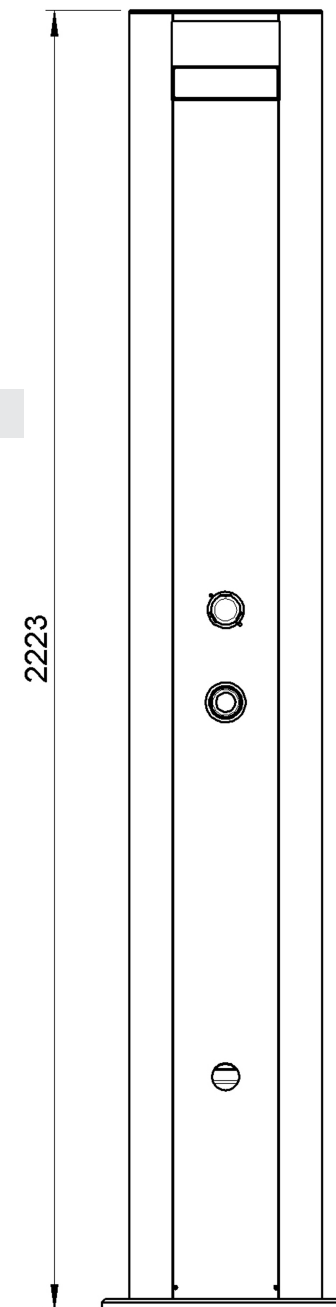
| Référence | KELIA SH01 | KELIA SH02 | KELIA SH03 | KELIA SH04 | KELIA SH05 | KELIA SH06 | KELIA SH07 | KELIA SH08 |
|-----------------|------------|------------|------------|------------|------------|------------|------------|------------|
| Control | imed | timed | timed | timed | Manual | Manual | Manual | Manual |
| - Ref. PRESTO | SH01-PR | SH02-PR | SH03-PR | SH04-PR | | | | |
| - Ref. DELABIE | SH01-DL | SH02-DL | SH03-DL | SH04-DL | | | | |
| Options | | | | | | | | |
| - Safety device | YES | YES | NO | NO | YES | YES | NO | NO |
| - Foot bath | YES | NO | YES | NO | YES | NO | YES | NO |

Dimensions and weight

| | |
|---------------------|-------------------|
| Height | 2m22 |
| Shower body section | 329x80mm |
| Plate section | 423x160mm |
| Fixings | 4 points Ø8 or 10 |
| Weight | 30kg |



KELIA model



Made to measure

The taps, cocks and Fittings – Water supply

If you want to use a specific set of taps, cocks and fittings, our teams are at your service to help with the inclusion of your choice in the KELIA shower.



You have an existing hot water supply and our shower's aesthetics appeal to you. A direct supply is possible.

Multiple outlets, specific shape

Twin, triple, quadruple outlet.

A different shape (square, rectangular, etc.)

Other sizes.

Finish

A specific colour to blend in better?

EVERYTHING is possible. A specific surface treatment may be applied to your shower upon request.

Sand-blasted, frosted or satin finish, stainless steel central panel, etc.



The art of the matter



Armed with its experience in the design and manufacture of aluminium parts and assemblies, AXIUM Solutions Aluminium has designed and is manufacturing the first solar shower suitable for the community.

KELIA Solar Showers are suitable for all environments and for every use according to its facilities.

Whatever the style of your outside area - garden, patio, swimming pool – a KELIA is planned for you.

AXIUM Solutions Aluminium - 21 rue Boudeville - 31100 TOULOUSE

Simplified joint stock company with capital of €80,000 – Toulouse

Business & Companies Register reg.: 753 488 774

Tel.: +335 61 16 32 90 - Fax: +335 61 16 32 99

www.axium-aluminium.fr

